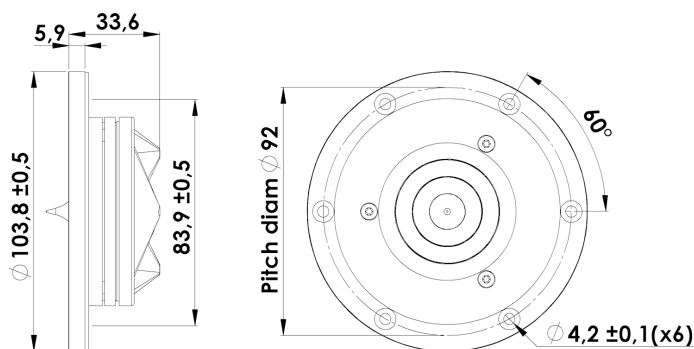


26 mm Dome Tweeter

R2904/700005



Key Features:

- 1" Ring Dome Diaphragm
- Patented Phase Plug Design
- Patented Symmetrical Drive (SD-2) motor
- Large Ring Neo Magnet f. High Output
- Non Resonant Alu Rear Chamber
- Black Anodized Machined Alu Face Plate

Recommendations (please see Tech Note):

- Operating frequency range: 2500-30000 Hz
- Cabinet volume - closed box: N.a.
- Cabinet volume - vented box: N.a.

T-S Parameters:

Resonance frequency [fs]	520 Hz
Mechanical Q factor [Qms]	2.90
Electrical Q factor [Qes]	0.38
Total Q factor [Qts]	0.33
Force factor [Bl]	2.8 Tm
Mechanical resistance [Rms]	0.34 kg/s
Moving mass [Mms]	0.3 g
Compliance [Cms]	0.31 mm/N
Effective diaph. diameter [D]	27 mm
Effective piston area [Sd]	5.6 cm ²
Equivalent volume [Vas]	0.01 l
Sensitivity (2,83V/1m)	94.5 dB

Mechanical Data:

Voice coil diameter	26 mm
Voice coil height	2.0 mm
Voice coil layers	2
Gap height	2.5 mm
Linear excursion	± 0.25 mm
Max mech. excursion	± 1.6 mm
Unit weight	0.4 kg
Cabinet Displacement Volume	0.12 l

Electrical Data:

Nominal impedance [Zn]	4 Ω
Minimum impedance [Zmin]	3.7 Ω
Maximum impedance [Zo]	26.2 Ω
DC resistance [Re]	3 Ω
Voice coil inductance [Le]	0.01 mH

Power Handling:

100h RMS noise test (IEC 18.4)	160 W
Long-term max power (IEC 18.2)	210 W
X-over: 2. order HP Butterworth, 2.5 kHz	

