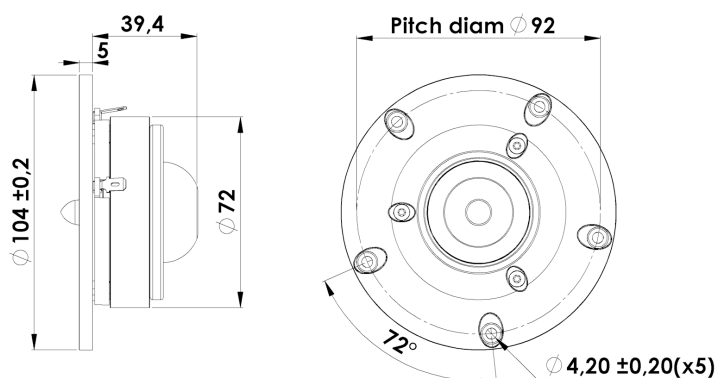


## 26 mm Dome Tweeter

## R2604/832000



### Key Features:

- Extended Frequency To Above 40KHz
- Very Low Resonance Frequency - 500Hz
- Low Distortion
- Dual Ring Radiator diaphragm (Patent)
- Wave-guide center plug (Patent)
- Textile Diaphragm

### Recommendations (please see Tech Note):

- Operating frequency range: 2500-30000 Hz
- Cabinet volume - closed box: N.a.
- Cabinet volume - vented box: N.a.

### T-S Parameters:

Resonance frequency [fs]	500 Hz
Mechanical Q factor [Qms]	2.77
Electrical Q factor [Qes]	0.52
Total Q factor [Qts]	0.44
Force factor [Bl]	2.3 Tm
Mechanical resistance [Rms]	0.34 kg/s
Moving mass [Mms]	0.3 g
Compliance [Cms]	0.34 mm/N
Effective diaph. diameter [D]	26 mm
Effective piston area [Sd]	5.4 cm <sup>2</sup>
Equivalent volume [Vas]	0.01 l
Sensitivity (2,83V/1m)	90 dB

### Mechanical Data:

Voice coil diameter	26 mm
Voice coil height	2.2 mm
Voice coil layers	2
Gap height	2.5 mm
Linear excursion	± 0.2 mm
Max mech. excursion	± 1.6 mm
Unit weight	0.5 kg
Cabinet Displacement Volume	0.11 l

### Electrical Data:

Nominal impedance [Zn]	4 Ω
Minimum impedance [Zmin]	3.7 Ω
Maximum impedance [Zo]	18.4 Ω
DC resistance [Re]	2.9 Ω
Voice coil inductance [Le]	0.02 mH

### Power Handling:

100h RMS noise test (IEC 18.4)	100 W
Long-term max power (IEC 18.2)	- W
X-over: 2. order HP Butterworth, 2.5 kHz	

