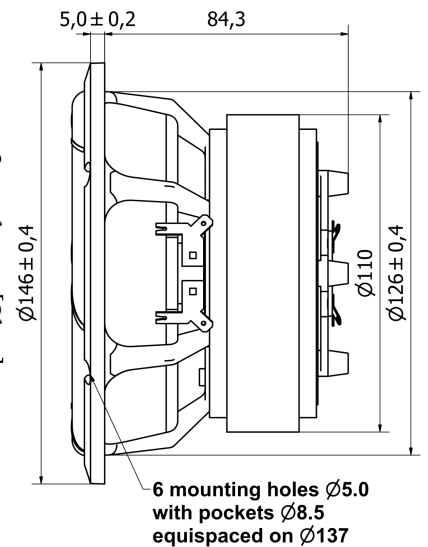
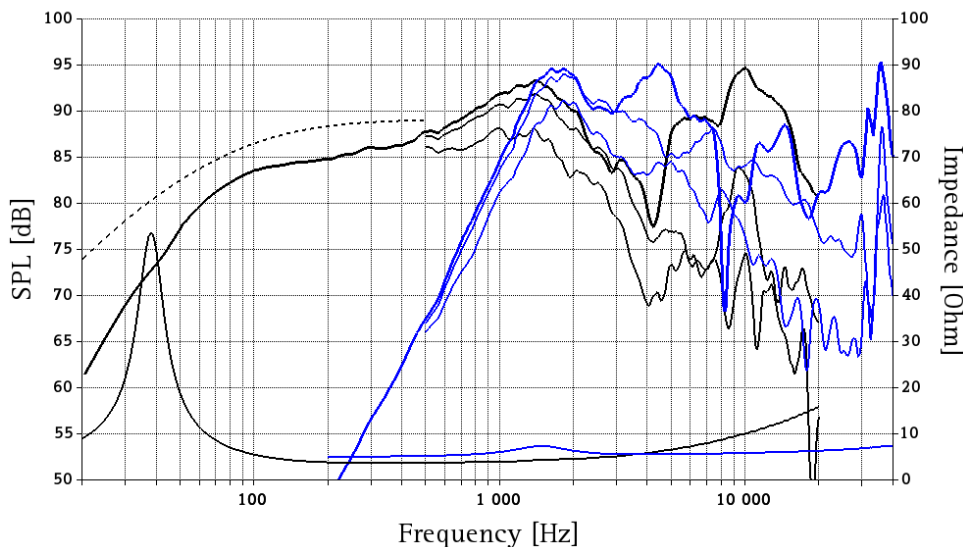


Ultra-high performance coaxial driver, featuring a customised Composite Sound Metamodal™ diaphragm for both the woofer and tweeter. This advanced material, now in its second generation, is engineered to a perfect balance of low weight, high stiffness, and controlled damping, ensuring unparalleled sound quality.

The magnet systems are FEA optimised with precisely fitted copper parts for outstanding linearity, high power handling and minimal distortion. The use of titanium voice coil formers enhances force transfer and enables low mechanical damping, resulting in remarkably clean, transient sound reproduction that reveals the intricate micro-details the music.

The innovative crown-shaped copper tweeter support allows for the addition of damping material, effectively eliminating any resonance from the cavity between the tweeter housing and woofer voice coil former.

The coaxial arrangement of the tweeter and woofer makes the driver an exceptional point source, providing a large and precise sound imaging that elevate the listening experience.



The frequency responses above show measured free field sound pressure in 0, 30, and 60 degrees angle using a 7L closed box. Input 2.83 VRMS, microphone distance 0.5m, normalized to SPL 1m. The dotted line is a calculated response in infinite baffle based on the parameters given for this specific driver. The impedance is measured in free air without baffle using a 2V sine

	Woofer	Tweeter		Woofer	Tweeter
Nominal Impedance	4 Ohms	6 Ohms	Voice Coil Resistance	3.1 Ohms	4.7 Ohms
Recommended Frequency Range	20 - 4000 Hz	2 - 30 kHz	Voice Coil Inductance	0.16 mH	0.02 mH
Short Term Power Handling *	250 W	200 W	Force Factor	8.0 N/A	2.8 N/A
Long Term Power Handling *	100 W	90 W	Free Air Resonance	38 Hz	1490 Hz
Characteristic Sensitivity (2,83V, 1m)	89 dB	90 dB	Moving Mass	12.4 g	0.3 g
Voice Coil Diameter	39 mm	26 mm	Suspension Compliance	1.41 mm/N	-
Voice Coil Height	20 mm	1.6 mm	Suspension Mechanical Resistance	0.60 Ns/m	-
Air Gap Height	6 mm	2.0 mm	Effective Piston Area	94 cm ²	7 cm ²
Linear Coil Travel (p-p)	14 mm	0.4 mm	VAS	18 Litres	-
Maximum Coil Travel (p-p)	22 mm	-	QMS	4.95	-
Magnetic Gap Flux Density	1.1 T	1.3 T	QES	0.30	-
Total Weight	2.2 kg	-	QTS	0.29	-