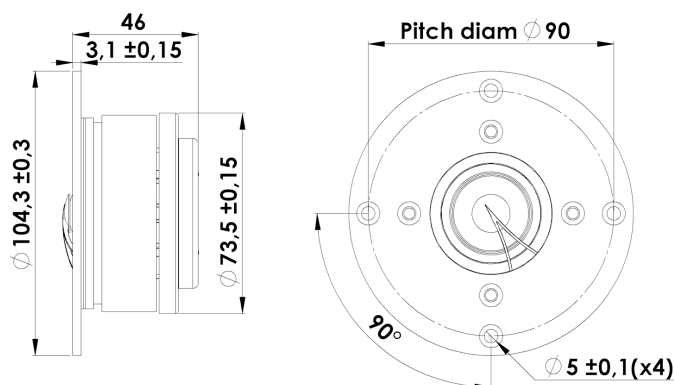


## 28 mm Dome Tweeter

## D2904/980000



### Key Features:

- 1" Aluminium Dome Diaphragm
- Wave Guide
- Patented Symmetrical Drive (SD) motor
- Low Resonance Rear Chamber
- Black Painted Alu Face Plate

### Recommendations (please see Tech Note):

- Operating frequency range: 2500-20000 Hz
- Cabinet volume - closed box: N.a.
- Cabinet volume - vented box: N.a.

### T-S Parameters:

Resonance frequency [fs]	500 Hz
Mechanical Q factor [Qms]	3.09
Electrical Q factor [Qes]	0.84
Total Q factor [Qts]	0.66
Force factor [Bl]	2.8 Tm
Mechanical resistance [Rms]	0.61 kg/s
Moving mass [Mms]	0.6 g
Compliance [Cms]	0.20 mm/N
Effective diaph. diameter [D]	33 mm
Effective piston area [Sd]	8.5 cm <sup>2</sup>
Equivalent volume [Vas]	0.02 l
Sensitivity (2,83V/1m)	88 dB

### Mechanical Data:

Voice coil diameter	28 mm
Voice coil height	2.5 mm
Voice coil layers	2
Gap height	2.5 mm
Linear excursion	± 0.1 mm
Max mech. excursion	± 1.5 mm
Unit weight	0.7 kg
Cabinet Displacement Volume	0.15 l

### Electrical Data:

Nominal impedance [Zn]	4 Ω
Minimum impedance [Zmin]	4.3 Ω
Maximum impedance [Zo]	16.4 Ω
DC resistance [Re]	3.5 Ω
Voice coil inductance [Le]	0.01 mH

### Power Handling:

100h RMS noise test (IEC 18.4)	160 W
Long-term max power (IEC 18.2)	430 W
X-over: 2. order HP Butterworth, 2.5 kHz	

