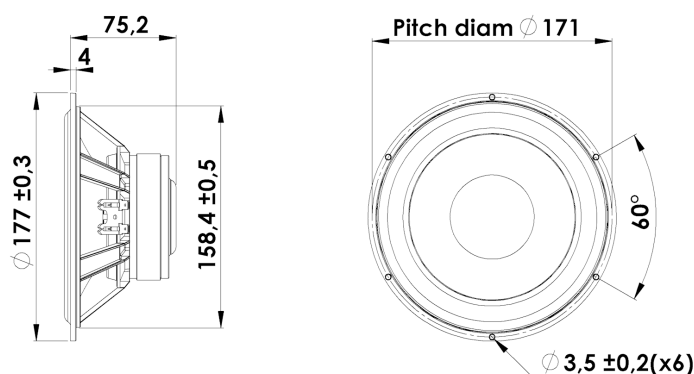


## 18 cm Midwoofer

## 18W/8535-01



### T-S Parameters:

Resonance frequency [fs]	25 Hz
Mechanical Q factor [Qms]	2.1
Electrical Q factor [Qes]	0.46
Total Q factor [Qts]	0.38
Force factor [Bl]	5.9 Tm
Mechanical resistance [Rms]	1.33 kg/s
Moving mass [Mms]	17.2 g
Compliance [Cms]	2.30 mm/N
Effective diaph. diameter [D]	136 mm
Effective piston area [Sd]	145 cm <sup>2</sup>
Equivalent volume [Vas]	68.9 l
Sensitivity (2,83V/1m)	87 dB

### Mechanical Data:

Voice coil diameter	38 mm
Voice coil height	15 mm
Voice coil layers	2
Gap height	5 mm
Linear excursion	± 5 mm
Max mech. excursion	± 10 mm
Unit weight	1.1 kg
Cabinet Displacement Volume	0.33 l

### Electrical Data:

Nominal impedance [Zn]	8 Ω
Minimum impedance [Zmin]	6.8 Ω
Maximum impedance [Zo]	32 Ω
DC resistance [Re]	5.85 Ω
Voice coil inductance [Le]	0.33 mH

### Power Handling:

100h RMS noise test (IEC 18.4)	70 W
Long-term max power (IEC 18.2)	170 W
X-over:	None

### Key Features:

- Patented Symmetrical Drive Motor Design
- Coated Air Dried Paper/Carbon Fibre Cone
- 38mm Voice Coil
- Low-Loss linear suspension
- Low Damping SBR Rubber Surround
- Aluminium Chassis

### Recommendations (please see Tech Note):

- Operating frequency range: fs-3500 Hz
- Cabinet volume - closed box: Vbox=32 ltr, f(-3dB)=44 Hz
- Cabinet volume - vented box: Vbox=67 ltr, fb=25 Hz, f(-3dB)=25 Hz

