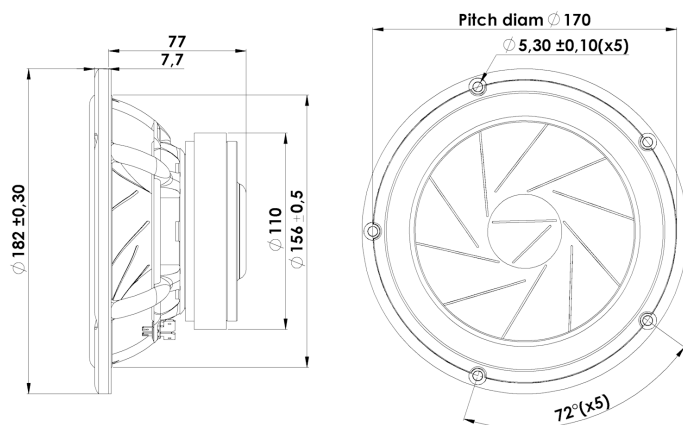


18 cm Midrange

18M/8631T00



T-S Parameters:

Resonance frequency [fs]	65 Hz
Mechanical Q factor [Qms]	5.24
Electrical Q factor [Qes]	0.82
Total Q factor [Qts]	0.71
Force factor [Bl]	6.5 Tm
Mechanical resistance [Rms]	1.11 kg/s
Moving mass [Mms]	14.2 g
Compliance [Cms]	0.42 mm/N
Effective diaph. diameter [D]	138 mm
Effective piston area [Sd]	154 cm ²
Equivalent volume [Vas]	14 l
Sensitivity (2,83V/1m)	89 dB

Mechanical Data:

Voice coil diameter	38 mm
Voice coil height	10.9 mm
Voice coil layers	2
Gap height	5 mm
Linear excursion	± 3 mm
Max mech. excursion	± 14.5 mm
Unit weight	1.7 kg
Cabinet Displacement Volume	0.47 l

Electrical Data:

Nominal impedance [Zn]	8 Ω
Minimum impedance [Zmin]	6.3 Ω
Maximum impedance [Zo]	39.7 Ω
DC resistance [Re]	6.0 Ω
Voice coil inductance [Le]	0.22 mH

Power Handling:

100h RMS noise test (IEC 18.4)	120 W
Long-term max power (IEC 18.2)	250 W
X-over: 2. order HP Butterworth, 100 Hz	

Key Features:

- Patented Symmetrical Drive motor design
- Sliced Cone (Control Cone Breakups)
- Low-loss Linear Suspension
- High Sensitivity 89dB @ 2,83V
- Coated Foam Surround
- Rigid Titanium Voice Coil Former

Recommendations (please see Tech Note):

- Operating frequency range: 70-6000 Hz
- Cabinet volume - closed box: Vbox=3 ltr, f(-3dB)=154 Hz
- Cabinet volume - vented box: N.a.

