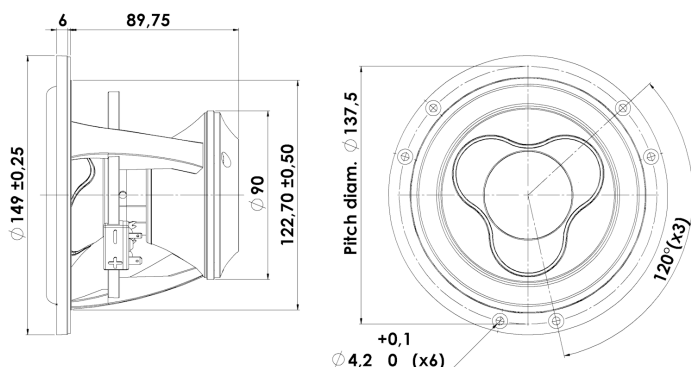


15 cm Midwoofer

15WU/8741T00



T-S Parameters:

Resonance frequency [fs]	35 Hz
Mechanical Q factor [Qms]	3.37
Electrical Q factor [Qes]	0.28
Total Q factor [Qts]	0.26
Force factor [Bl]	7.5 Tm
Mechanical resistance [Rms]	0.80 kg/s
Moving mass [Mms]	12.3 g
Compliance [Cms]	1.68 mm/N
Effective diaph. diameter [D]	108 mm
Effective piston area [Sd]	92 cm ²
Equivalent volume [Vas]	19.9 l
Sensitivity (2,83V/1m)	83.5 dB

Mechanical Data:

Voice coil diameter	42 mm
Voice coil height	8 mm
Voice coil layers	4
Gap height	20 mm
Linear excursion	± 9 mm
Max mech. excursion	± 13 mm
Unit weight	1.7 kg
Cabinet Displacement Volume	0.35 l

Electrical Data:

Nominal impedance [Zn]	8 Ω
Minimum impedance [Zmin]	7.9 Ω
Maximum impedance [Zo]	76.9 Ω
DC resistance [Re]	5.9 Ω
Voice coil inductance [Le]	0.41 mH

Power Handling:

100h RMS noise test (IEC 18.4)	80 W
Long-term max power (IEC 18.2)	150 W
X-over:	None

Key Features:

- Under-Hung Neodymium Motor Design
- Patented Symmetrical Drive (SD-3)
- Patented Sandwich Paper Cone
- Exceptionally Long Linear Excursion
- Low-loss linear suspension
- Patented Design

Recommendations (please see Tech Note):

- Operating frequency range: fs-5000 Hz
- Cabinet volume - closed box: N.a.
- Cabinet volume - vented box: Vbox=5.5 ltr, fb=52 Hz, f(-3dB)=61 Hz

