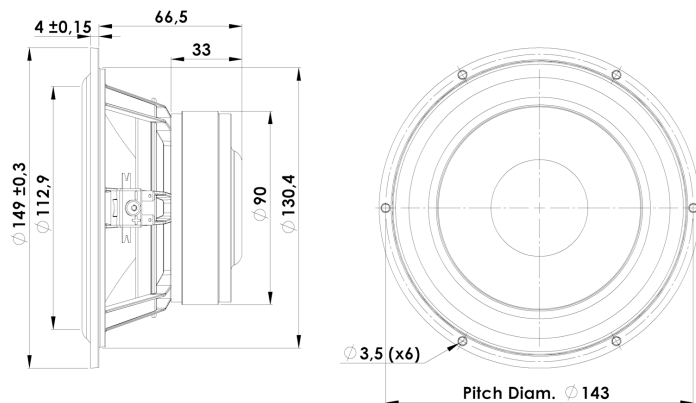


15 cm Midwoofer

15W/8534T00



Key Features:

- "Phenomax" cone material
- Symmetrical drive motor system
- 38 mm voice coil
- Low loss linear rubber suspension
- Aluminium chassis

Recommendations (please see Tech Note):

- Operating frequency range: fs-5000 Hz
- Cabinet volume - closed box: $V_{box}=15$ ltr, $f(-3dB)=55$ Hz
- Cabinet volume - vented box: $V_{box}=32$ ltr, $f_b=32$ Hz, $f(-3dB)=31$ Hz

T-S Parameters:

Resonance frequency [fs]	32 Hz
Mechanical Q factor [Qms]	3.6
Electrical Q factor [Qes]	0.43
Total Q factor [Qts]	0.39
Force factor [Bl]	5.5 Tm
Mechanical resistance [Rms]	0.6 kg/s
Moving mass [Mms]	11 g
Compliance [Cms]	2.2 mm/N
Effective diaph. diameter [D]	112 mm
Effective piston area [Sd]	98 cm ²
Equivalent volume [Vas]	30 l
Sensitivity (2,83V/1m)	85.5 dB

Mechanical Data:

Voice coil diameter	38 mm
Voice coil height	15 mm
Voice coil layers	2
Gap height	5 mm
Linear excursion	± 5 mm
Max mech. excursion	± 9 mm
Unit weight	1.2 kg
Cabinet Displacement Volume	0.26 l

Electrical Data:

Nominal impedance [Zn]	8 Ω
Minimum impedance [Zmin]	6.6 Ω
Maximum impedance [Zo]	57 Ω
DC resistance [Re]	5.8 Ω
Voice coil inductance [Le]	0.26 mH

Power Handling:

100h RMS noise test (IEC 18.4)	60 W
Long-term max power (IEC 18.2)	100 W
X-over:	None

