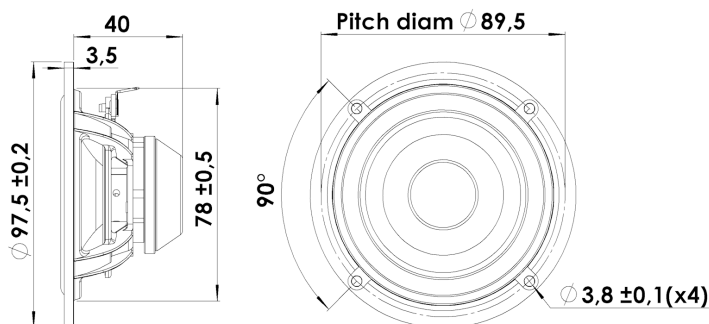


10 cm Fullrange

10F/8414G10



T-S Parameters:

Resonance frequency [fs]	100 Hz
Mechanical Q factor [Qms]	2.44
Electrical Q factor [Qes]	0.65
Total Q factor [Qts]	0.51
Force factor [Bl]	4.27 Tm
Mechanical resistance [Rms]	0.76 kg/s
Moving mass [Mms]	2.93 g
Compliance [Cms]	0.86 mm/N
Effective diaph. diameter [D]	68 mm
Effective piston area [Sd]	36 cm ²
Equivalent volume [Vas]	1.57 l
Sensitivity (2,83V/1m)	86 dB

Mechanical Data:

Voice coil diameter	20 mm
Voice coil height	8.7 mm
Voice coil layers	2
Gap height	4 mm
Linear excursion	± 2.3 mm
Max mech. excursion	± 7.5 mm
Unit weight	0.16 kg
Cabinet Displacement Volume	0.03 l

Electrical Data:

Nominal impedance [Zn]	8 Ω
Minimum impedance [Zmin]	6.8 Ω
Maximum impedance [Zo]	28.4 Ω
DC resistance [Re]	6.3 Ω
Voice coil inductance [Le]	0.11 mH

Power Handling:

100h RMS noise test (IEC 18.4)	10 W
Long-term max power (IEC 18.2)	20 W
X-over:	None

Key Features:

- Wide Frequency Range
- Vented Alu. Chassis, SBR Rubber Surround
- Compact Neo magnet Motor
- High Sensitivity 86dB/2,83V
- Copper Cap on Pole Piece
- Coated NRSC Fibre Glass Cone (patent)

Recommendations (please see Tech Note):

- Operating frequency range: 130-10000 Hz
- Cabinet volume - closed box: Vbox=2 ltr, f(-3dB)=132 Hz
- Cabinet volume - vented box: Vbox=4 ltr, fb=65 Hz, f(-3dB)=62 Hz

